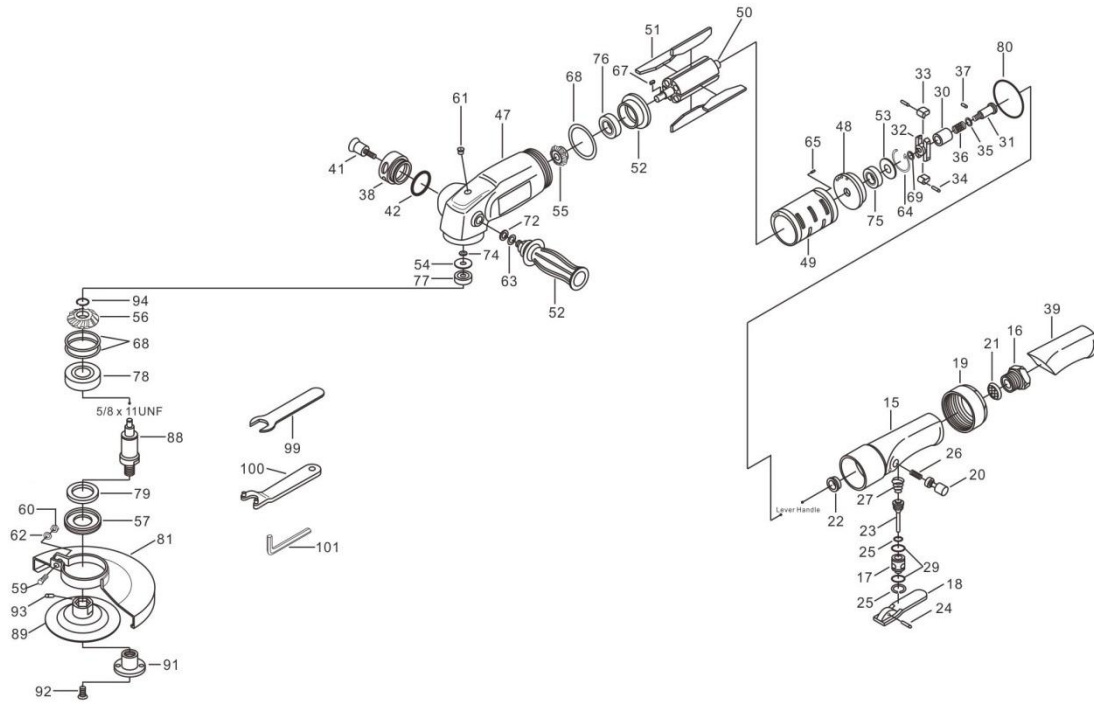


ZAG7075BC Air Angle Grinder (safety- throttle)(Out-type)



ZAG7075BC Air Angle Grinder (safety- throttle)(Out-type)

TECHNICAL

DATA

Throttle	Lever	
Grinding Wheel	inch(mm)	7(180)
Free Speed	R.P.M.	7600
Spindle Thread Size		5/8x11UNC
Angle Head Height	inch(mm)	3-27/64(87)
Overall Length	inch(mm)	11-13/16(300)
Net Weight	kg	3.0
Horse Power	HP	1.6
Max. Air Cons.	cfm(m ³ /min)	56(1.6)

PARTS LIST

Index	Part #	Description	Index	Part #	Description	Index	Part #	Description
15	ZAG7075BC-15	Handle -(Lever Type)	41	ZAG7075BC-41	Muffler Stem Assembly	68	ZAG7075BC-68	Adjusting Spacer
16	ZAG7075BC-16	Air Inlet Bushing	42	ZAG7075BC-42	O-Ring	69	ZAG7075BC-69	Spacer
17	ZAG7075BC-17	Valve Bushina	47	ZAG7075BC-47	Casing	72	ZAG7075BC-72	Washer
18	ZAG7075BC-18	Valve Lever	48	ZAG7075BC-48	Cylinder Rear Plate	74	ZAG7075BC-74	Snap Ring
19	ZAG7075BC-19	Valve Bodv Nut	49	ZAG7075BC-49	Cylinder	75	ZAG7075BC-75	Bearing
20	ZAG7075BC-20	Safety Pin	50	ZAG7075BC-50	Rotor	76	ZAG7075BC-76	Bearing
21	ZAG7075BC-21	Filter	51	ZAG7075BC-51	Vane (4)	77	ZAG7075BC-77	Bearing
22	ZAG7075BC-22	Governor Valve Bushing	52	ZAG7075BC-52	Front Plate	78	ZAG7075BC-78	Bearing
23	ZAG7075BC-23	Valve	53	ZAG7075BC-53	Cylinder Rear Plate Spacer	79	ZAG7075BC-79	Fiatring
24	ZAG7075BC-24	Roll Pin	54	ZAG7075BC-54	Whrri Spindle Real Cover	80	ZAG7075BC-80	O-Ring
25	ZAG7075BC-25	O-Ring(2)	55	ZAG7075BC-55	Driving Gear	81	ZAG7075BC-81	Wheel Gusrd
26	ZAG7075BC-26	Spring	56	ZAG7075BC-56	Driven Gear	88	ZAG7075BC-88	Wheel Spindle
27	ZAG7075BC-27	Cone Spring	57	ZAG7075BC-57	Casing Front Cover	89	ZAG7075BC-89	Wheel Holgwe Flange
28	ZAG7075BC-28	Snap Ring	58	ZAG7075BC-58	Dead Handle	90	ZAG7075BC-90	Wheel Gusrd
29	ZAG7075BC-29	O-Ring(2)	59	ZAG7075BC-59	Head Bolt	91	ZAG7075BC-91	Wheel Nut Flange
39	ZAG7075BC-39	Rubber Sheath	60	ZAG7075BC-60	Nut	92	ZAG7075BC-92	Head Screw
30	ZAG7075BC-30	Governor Valve	61	ZAG7075BC-61	Grease Fitting	93	ZAG7075BC-93	Roll Pin
31	ZAG7075BC-31	Governor Spindle	62	ZAG7075BC-62	Spring Washer	94	ZAG7075BC-94	Snap Ring
32	ZAG7075BC-32	Governor Cage	63	ZAG7075BC-63	Spring Washer	99	ZAG7075BC-99	Spanner
33	ZAG7075BC-33	Governor Weight (2)	64	ZAG7075BC-64	Snap Ring	100	ZAG7075BC-100	Spanner
34	ZAG7075BC-34	Roll Pin(2)	65	ZAG7075BC-65	Roll Pin	101	ZAG7075BC-101	Aller Wrench
35	ZAG7075BC-35	Adiusting Spacer	66	ZAG7075BC-66	Key			
36	ZAG7075BC-36	Spring	67	ZAG7075BC-67	Key			
37	ZAG7075BC-37	Pin						
38	ZAG7075BC-38	Eahaust Stack						