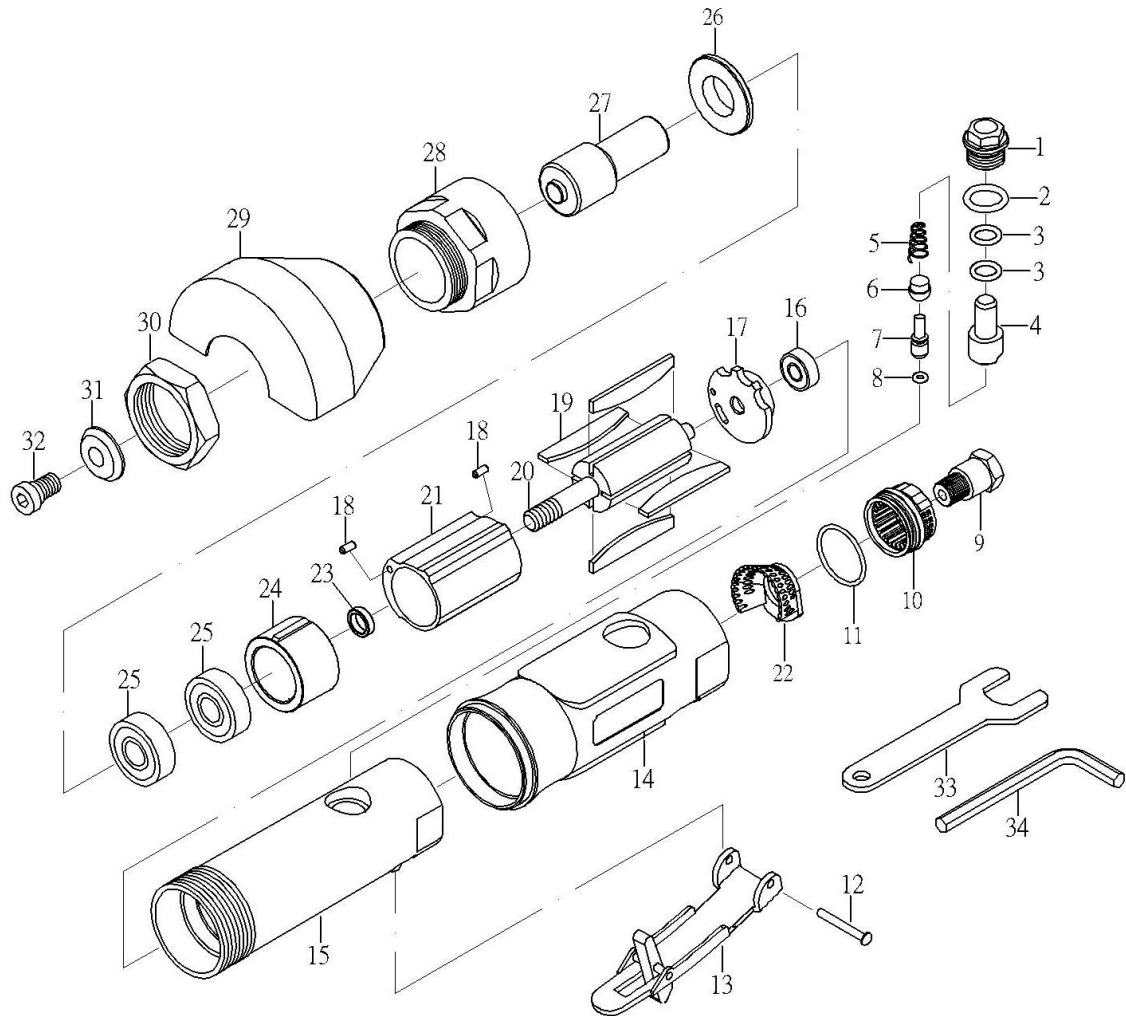


# ZP250 Air Cutter



## ZP250 Air Cutter

### TECHNICAL DATA

Grinding Wheel	in.	Cutting Wheel 3"
Net Weight	lbs(kgs)	1.8(0.8)
Length	in. (mm)	7.6(193)
RPM	RPM	21000
Air Inlet Size	inch-NPT/PT	1/4
Min. Hose Size	inch(mm)	3/8(10)
Avg. Air Consumption	cfm	3.5

### PARTS LIST

Index	Part #	Description	Index	Part #	Description
1	ZP250-1	SCREW	18	ZP250-18	PIN(2)
2	ZP250-2	O-RING(P12)	19	ZP250-19	ROTOR BLADE(4)
3	ZP250-3	O-RING(P8)(2)	20	ZP250-20	ROTOR
4	ZP250-4	AIR REGULATOR	21	ZP250-21	CYLINDER
5	ZP250-5	SPRING	22	ZP250-22	CONE MUFFLER
6	ZP250-6	VALVE STEM BUSHING	23	ZP250-23	BEARING SPACER
7	ZP250-7	VALVE STEM	24	ZP250-24	FRONT PLATE
8	ZP250-8	O-RING(3.5*1.4)	25	ZP250-25	BEARING(608ZZ)(2)
9	ZP250-9	AIR INLET	26	ZP250-26	WASHER
10	ZP250-10	EXHAUST SLEEVE	27	ZP250-27	DISC RETAINER
11	ZP250-11	O-RING(26.7*1.78)	28	ZP250-28	CLAMP NUT
12	ZP250-12	SPRING PIN	29	ZP250-29	GUARD
13	ZP250-13	LEVER	30	ZP250-30	NUT
14	ZP250-14	PROTECTING RUBBER	31	ZP250-31	WASHER
15	ZP250-15	HOUSING	32	ZP250-32	SCREW(M6*12)
16	ZP250-16	BEARING(696ZZ)	33	ZP250-33	STOP SPANNER(14M/M)
17	ZP250-17	REAR PLATE	34	ZP250-34	HEX (5M/M)