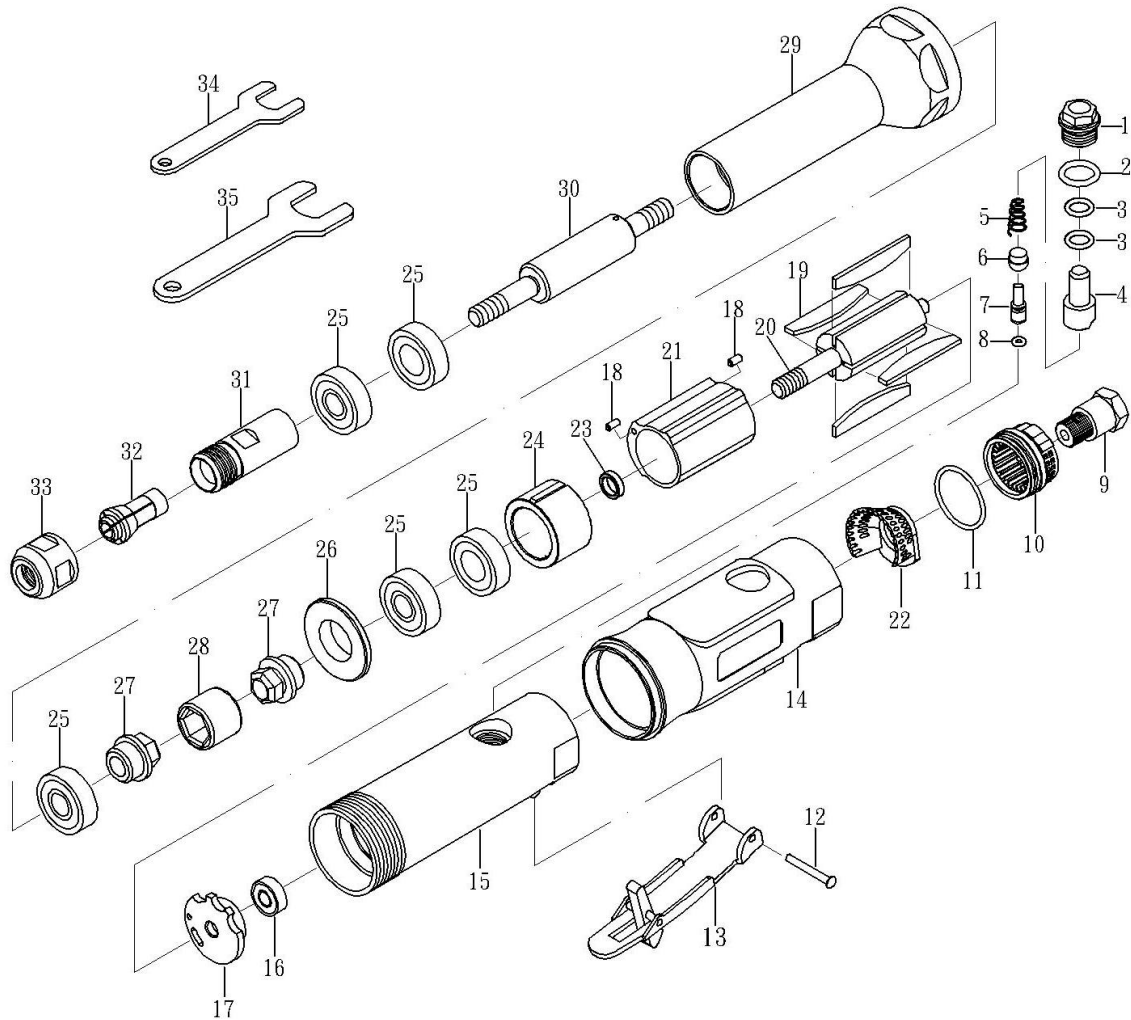


ZP315**5" Air Extension Die Grinder****ZP315****5" Air Extension Die Grinder**

TECHNICAL DATA	Collet Size	inch(mm)	: 1/4 (6)
	Net Weight	lbs(kgs)	: 1.8(0.82)
	Overall Length	inch(mm)	: 11(280)
	Free Speed	R.P.M.	: 20,000
	Air Inlet Size	inch-NPT/PT	: 1/4
	Min. Hose Size	inch(mm)	: 3/8(10)
	Avg. Air Cons.	cfm(l/min)	: 8.5(240)

PARTS LIST

Index #	Part #	Description	Index #	Part #	Description
1.	ZP315-01	Screw	19.	ZP315-19	Rotor Blade (4)
2.	ZP315-02	O-Ring	20.	ZP315-20	Rotor
3.	ZP315-03	O-Ring (2)	21.	ZP315-21	Cylinder
4.	ZP315-04	Air Regulator	22.	ZP315-22	Cone Muffler
5.	ZP315-05	Spring	23.	ZP315-23	Bearing Spacer
6.	ZP315-06	Valve Stem Bushing	24.	ZP315-24	Front Plate
7.	ZP315-07	Valve Stem	25.	ZP315-25	Bearing (5)
8.	ZP315-08	O-Ring(3.5*1.4)	26.	ZP315-26	Washer
9.	ZP315-09	Air Inlet	27.	ZP315-27	Coupling Nut (2)
10.	ZP315-10	Exhaust Sleeve	28.	ZP315-28	Coupling
11.	ZP315-11	O-Ring(26.7*1.78)	29.	ZP315-29	Spindle Housing
12.	ZP315-12	Spring Pin	30.	ZP315-30	Spindle (Shaft)
13.	ZP315-13	Lever	31.	ZP315-31	Spindle
14.	ZP315-14	Protecting Rubber	32.	ZP315-32	Collet
15.	ZP315-15	Housing	33.	ZP315-33	Collet Nut
16.	ZP315-16	Bearing	34.	ZP315-34	Stop Spanner(14mm)
17.	ZP315-17	Rear Plate	35.	ZP315-35	Stop Spanner(19mm)
18.	ZP315-18	Pin (2)			